

0-10V/1-10V/Potentiometer/10V PWM LED Constant Current driver with DIP Adjustment Multi-current KID-010-DIM series 10W



■ Features:

- Output constant current
- Range AC input : 100-277VAC
- Efficiency up to 78%
- Built-in active PFC function
- Protections: short circuit/over temperature
- Full protection plastic housing easy installation
- IP20 design for indoor installation
- Cooling by free air convection
- Dimming function:
 - 0-10V/1-10V/Potentiometer/10V PWM (4 in 1)
- Strong compatibility, flicker-free dimming
- Suitable for LED lighting and moving sign applications



■ Specification

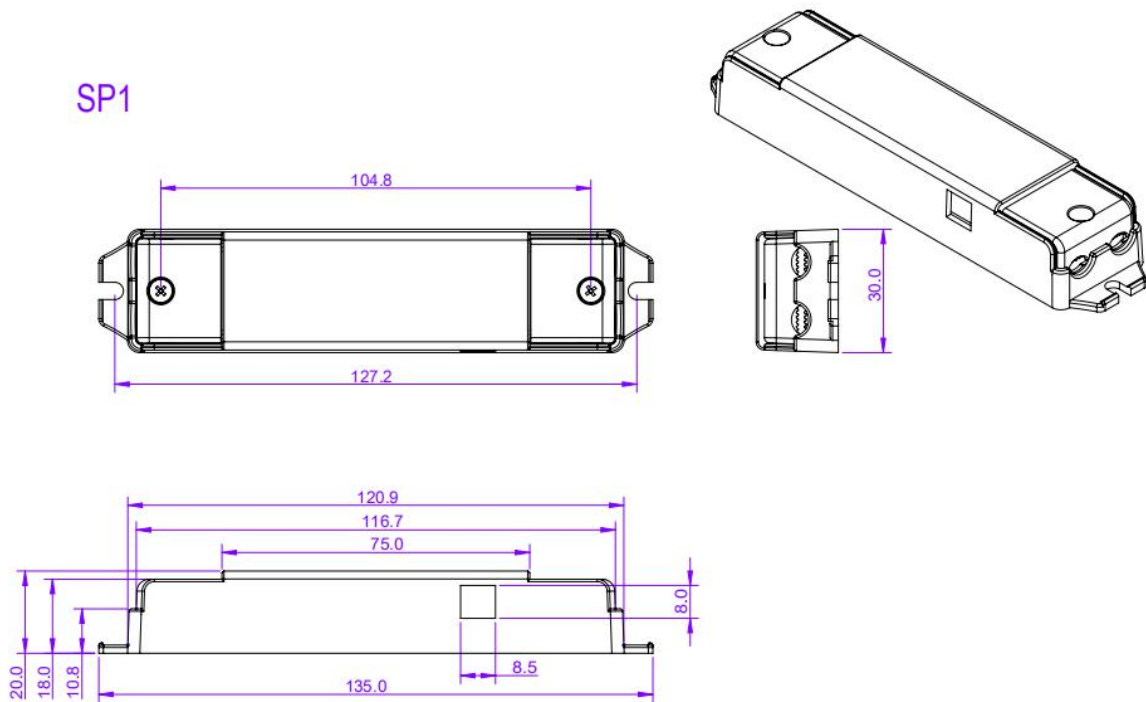


Model		KID-010-DIM							
Output	Rated current (mA)	450	400	350	300	250	200	150	100
	DIP Code	LLL	TLL	LTl	TTl	LLT	TlT	lTT	TTT
	Current Tolerance	±25mA							
	DC Voltage (V)	3-22	3-25	3-29	3-33	3-40	3-42	3-42	3-42
	Rated power (W)	10	10	10	10	10	8.4	6.3	4.2
Input	Rated Input Voltage	100-277VAC							
	Rated Frequency	47-63HZ							
	Total harmonic distortion	≤15%							
	Power Factor	Full loading ≥0.99@120VAC 60Hz; ≥0.87@277VAC 60Hz;							
	Efficiency (Typ.)	Full loading ≥78%@120VAC 60Hz;							
	AC Current (Max.)	0.15A							
	Inrush Current (Typ.)	7A 24us @ 50% Ipeak at 120VAC							
Leakage current	<0.50mA								
Protection	Short Circuit	Constant current mode, recovers automatically after fault condition is removed							
	Over temperature	Ambient temp. over 50±5°C, output current will be reduced to 50%; Ambient temp. over 60±5°C, output will be off; recovers automatically after temp. drops.							
	Protection Class:	II							

**0-10V/1-10V/Potentiometer/10V PWM LED Constant Current driver with DIP Adjustment Multi-current
KID-010-DIM series 10W**

Environment	Working TEMP.	-40-+60°C
	Working Humidity	20-90%RH, non-condensing
	Storage TEMP. Humidity	-40-+80°C, 10-95%RH
	TEMP. coefficient	±0.03%/°C (0-50°C)
	Vibration	10-500Hz, 2G 10min./1 cycle, period for 60min.each along X,Y,Z axes
Safety	Safety standards	EN61347-1 EN61347-2-13 / UL8750
	Withstand voltage	I/P-O/P:3.75KVAC
	Isolation resistance	I/P-O/P:100MΩ/500VDC/25°C/70%RH
Others	Weight	0.07Kg
	Size	135*30*20mm(L*W*H)
	packing	350*300*135mm (50PCS/CTN) for outer carton G.W.:7.5 kg
Notes	1. All parameters NOT specially mentioned are measured at 230VAC input, rated load and 25°C of ambient temperature. 2. Tolerance: includes set us tolerance, line regulation and load regulation.	

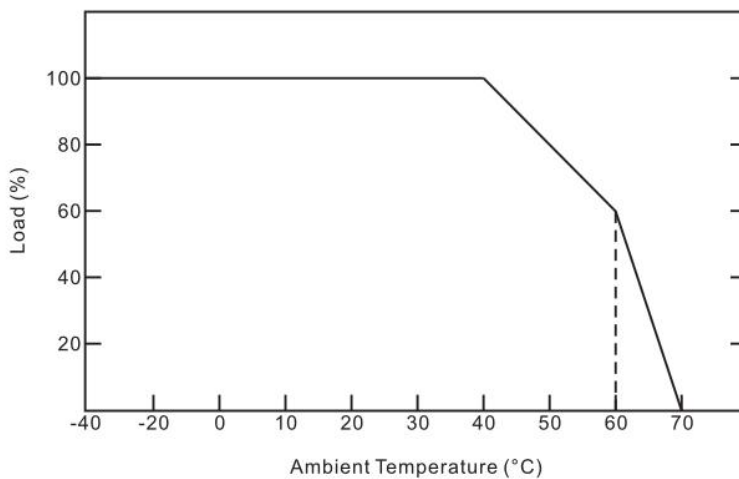
■ Mechanical Specification



0-10V/1-10V/Potentiometer/10V PWM LED Constant Current driver with DIP Adjustment Multi-current KID-010-DIM series 10W

- ※ Input with DG126 terminals 3P: Live Wire AC (L), Neutral Wire AC(N)
- ※ Output LED SEC with DG126 terminals 2P: output Positive (LED+), output negative (LED-). Connected to LED Lamps.
- ※ Suggested wire diameter: Input 0.75-2mm²; Output:0.5-2mm².
- ※ Please make sure you connect these correctly otherwise your product will not function correctly and could be damaged.
- ※ Note: Any other requests we can customized.

■ Derating Curve

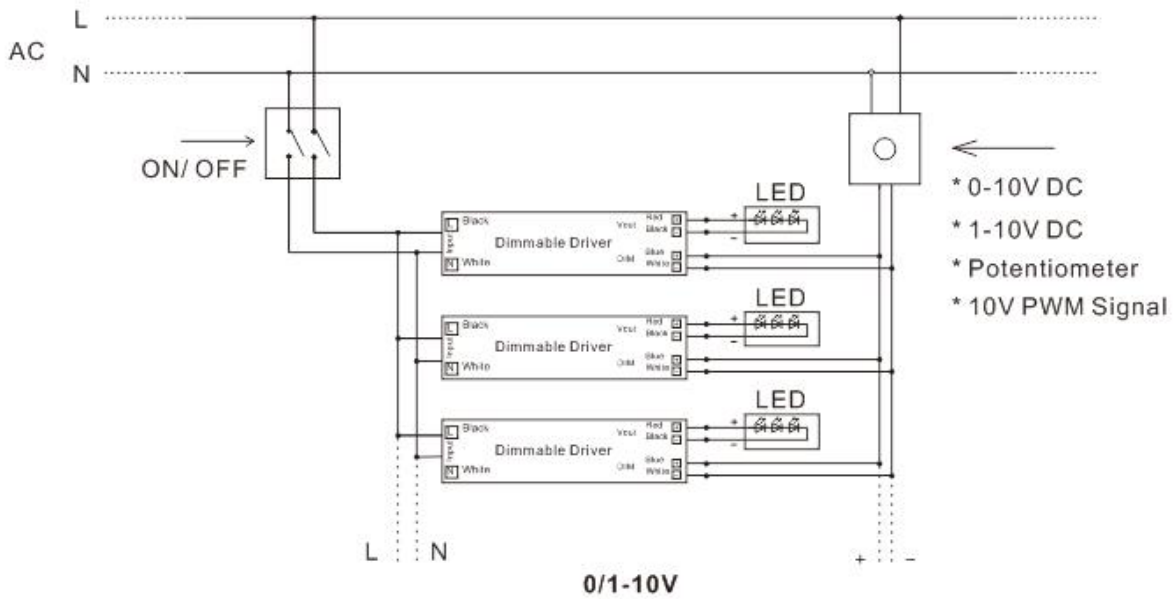


- ※ To extend their life, please refer to the Derating Curve and derate according to the temperature.

■ Dimming Operation

- ※ Output constant current level can be adjusted through input terminal of the AC phase line(L) by connection a Triac dimmer.
- ※ Usually matching with leading edge and trailing edge dimmer both.
- ※ please try to use the small power dimmer, have access to a wider dimming range, high-power dimmer is difficult to achieve the output current to zero

■ **Connecting Diagram**



■ **Instruction:**

- 1) This driver should be installed by qualified and professional person;
- 2) Please make sure the transformer is installed with adequate ventilation around it to allow for heat dissipation.
- 3) Ensure that wiring is correct before test in order to avoid light and power supply damage;
- 4) If driver cannot work normally, don't maintain privately;